

**Rinnai**

**Wall Termination**

6 inch (Plastic): 790094  
 6 inch (PPS): \*791029PPS  
 4 inch (Plastic): 790093  
 3 inch (Plastic): 790124




**Centrotherm**

**Wall Termination**

4/6 inch: ICWT462  
 3/5 inch: ICWT352  
 2/4 inch: ICWT2424



**Rinnai**

**Intake & Exhaust Rain Cap**

Intake 6 inch: 780061  
 Intake 4 inch: 780060  
 Exhaust 6 inch: 790098  
 Exhaust 4 inch: 790097




**Centrotherm**

**Rain Cap**

2 inch: ISRCE02  
 3 inch: ISRCE03  
 4 inch: ISRCE04



**Rinnai**

**Roof Termination**


3 inch: 790125  
 4 inch: 790095  
 4 inch (plastic): 790102  
 6 inch: 790096  
 6 inch: \*791030PPS  
 6 inch (stainless): 790103




**Centrotherm**

**Roof Termination**

2/4 inch: ICRT2439  
 2/4 inch: ICRT2468  
 3/5 inch: ICRT3539  
 3/5 inch: ICRT3568  
 4/6 inch: ICRT4679



Rinnai

**Contact Us:**

<http://centrotherm.us.com>  
[info@centrotherm.us.com](mailto:info@centrotherm.us.com)  
 518.434.3400



Centrotherm

**InnoFlue**<sup>®</sup>  
 Polypropylene Vent Systems



UL 1738  
 ULC S636

**Rinnai**

**90° Elbow**

6 inch: 790087  
6 inch: \*791027PPS  
4 inch: 790027  
3 inch: 790121




**Centrotherm**

**87° Elbow**

6 inch: ISEL0687  
4 inch: ISELL0487  
3 inch: ISEL0387\*




**Rinnai**

**45° Elbow**

6 inch: 790086  
6 inch: \*791026PPS  
4 inch: 790026  
3 inch: 790120




**Centrotherm**

**45° Elbow**

6 inch: ISEL0645  
4 inch: ISELS0445  
3 inch: ISELS0345




**Rinnai**

**Bracket**

6 inch: 790092  
4 inch: 790091  
3 inch: 790123




**Centrotherm**

**Support Clamps**

6 inch: IASCM06  
4 inch: IASCM04  
3 inch: IASCM03




Rinnai

**Contact Us:**

<http://centrotherm.us.com>  
info@centrotherm.us.com  
518.434.3400



Centrotherm

InnoFlue®  
Polypropylene Vent Systems



UL 1738  
ULC S636

**Rinnai**

Pitched Roof Moldable Flashing

6 and 4 inch: 790099




**Centrotherm**

Roof Flashing Concentric

6 and 4 inch: ICRF46




**Centrotherm**

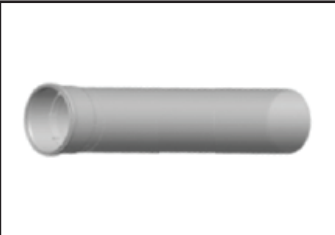
Centrocerin Lubricant



**Rinnai**

Extension

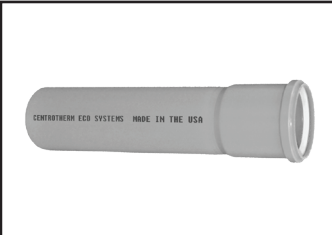
3 x 39 inch: 790122  
4 x 18 inch: 790035  
4 x 39 inch: 790028  
4 x 78 inch: 790088  
6 x 39 inch: 790089 / 791028PPS  
6 x 78 inch: 790090




**Centrotherm**

Vent Lengths

3 x 36 inch: ISVL033\*  
4 x 12 inch: ISVL041\*  
4 x 36 inch: ISVL043\*  
4 x 72 inch: ISVL046\*  
6 x 36 inch: ISVL063  
6 x 72 inch: ISVL066



# Rinnai

**Contact Us:**

<http://centrotherm.us.com>  
info@centrotherm.us.com  
518.434.3400



Centrotherm

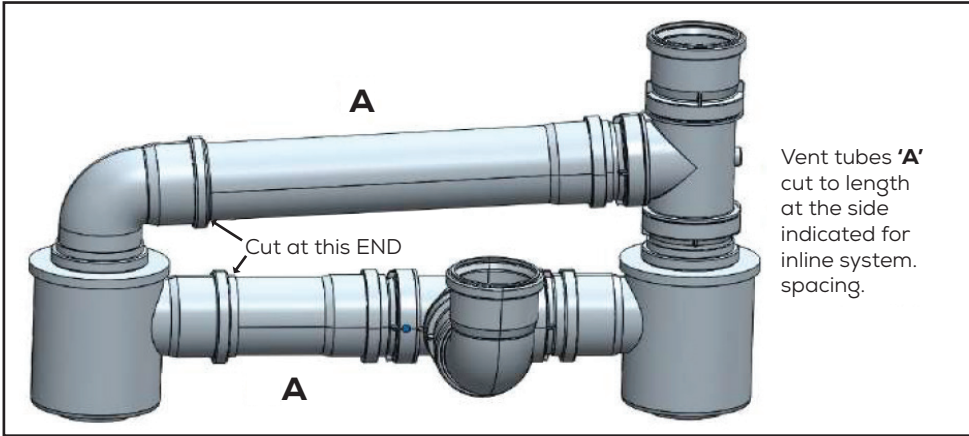
**InnoFlue**<sup>®</sup>  
Polypropylene Vent Systems



UL 1738  
ULC S636

## Rinnai

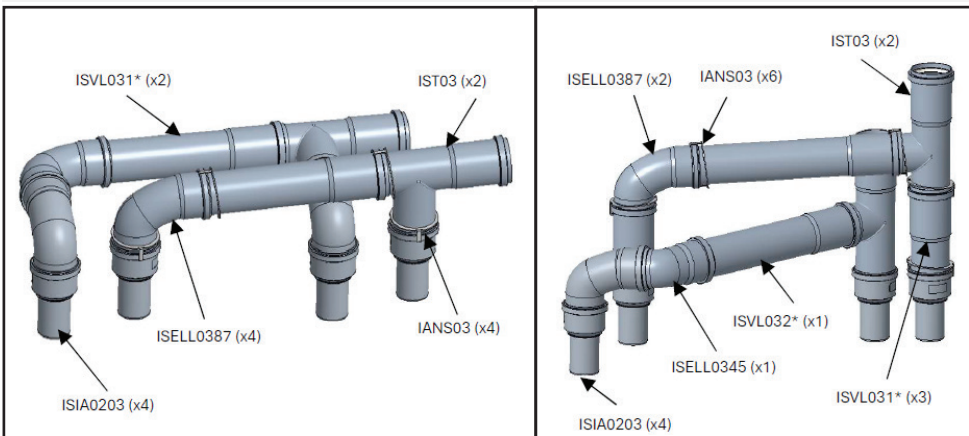
INLINE and CORNER (Part #: 790130)



## CENTROTHERM

INLINE

CORNER



# Rinnai

**Contact Us:**

<http://centrotherm.us.com>  
[info@centrotherm.us.com](mailto:info@centrotherm.us.com)  
 518.434.3400



Centrotherm

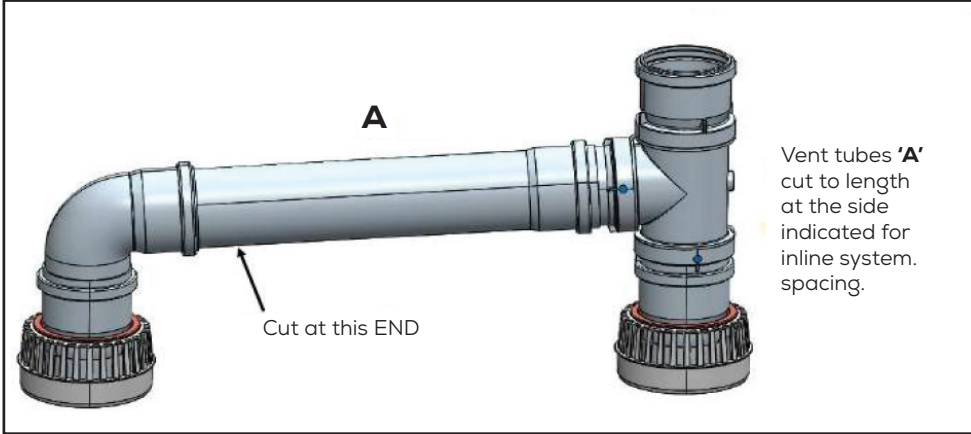
InnoFlue®  
Polypropylene Vent Systems



UL 1738  
ULC S636

## Rinnai

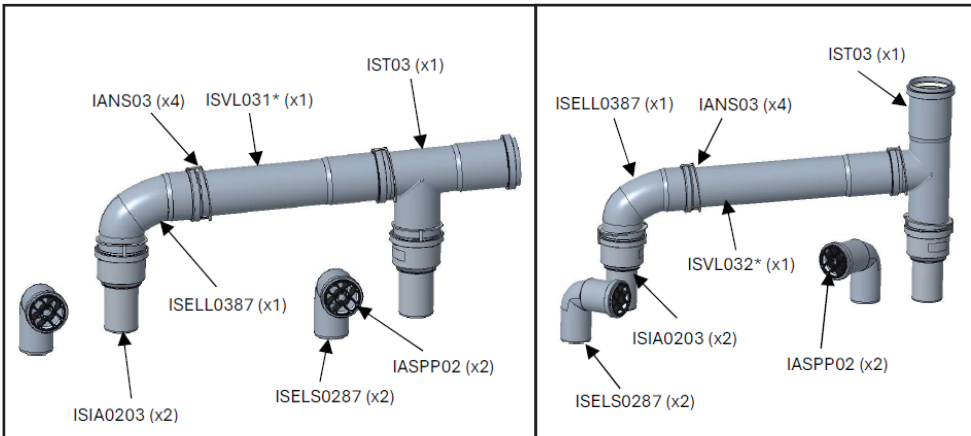
INLINE and CORNER (Part #: 790131)



## CENTROTHERM

INLINE

CORNER



# Rinnai

**Contact Us:**

<http://centrotherm.us.com>  
[info@centrotherm.us.com](mailto:info@centrotherm.us.com)  
 518.434.3400



Centrotherm

InnoFlue®  
Polypropylene Vent Systems

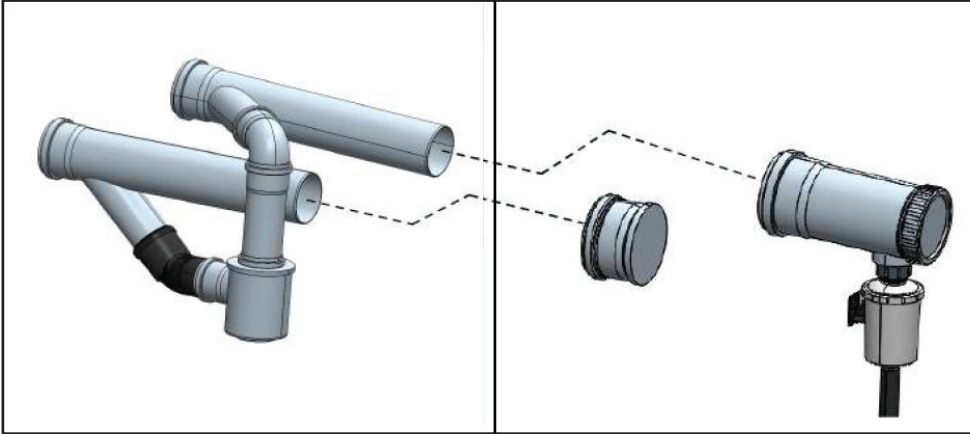


UL 1738  
ULC S636

## Rinnai

4in Add-On (Part #: 790134)

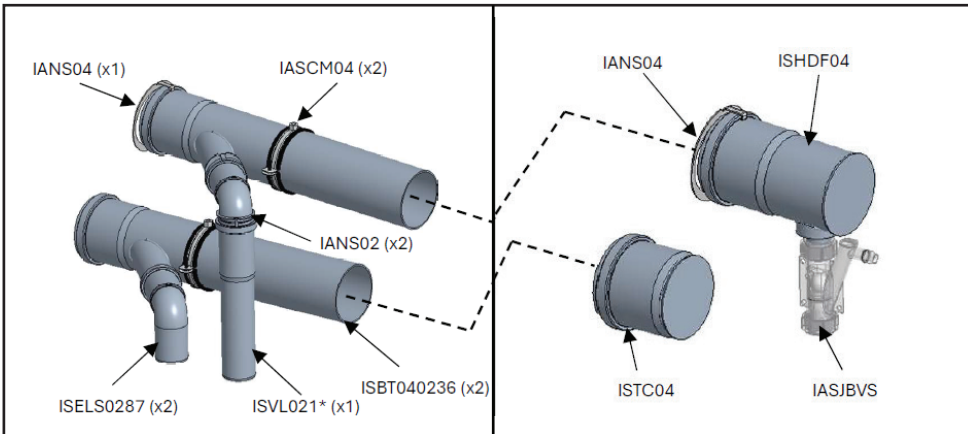
4in Starter (Part #: 790132)



## CENTROTHERM

4in Add-On Components

4in Starter Components



**NOTE:** Quantities for Add-On components are PER UNIT.

# Rinnai

**Contact Us:**

<http://centrotherm.us.com>  
[info@centrotherm.us.com](mailto:info@centrotherm.us.com)  
 518.434.3400



Centrotherm

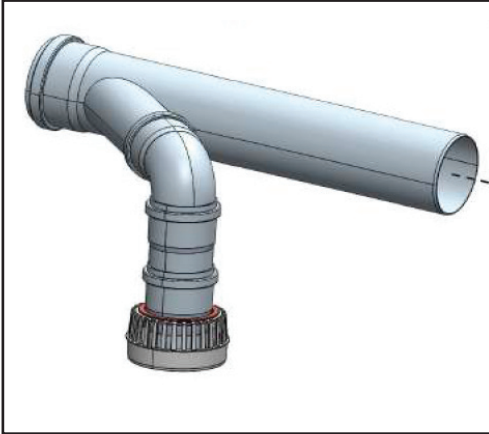
InnoFlue®  
Polypropylene Vent Systems



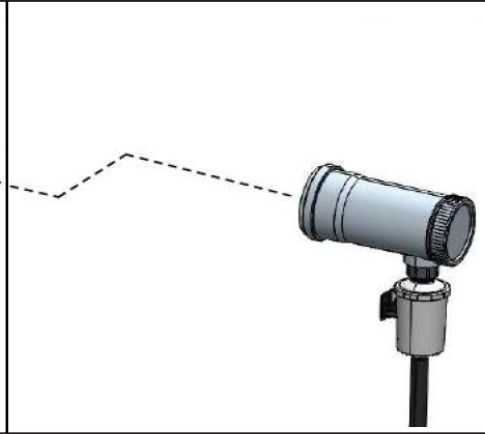
UL 1738  
ULC S636

## Rinnai

4in Add-On (Part #: 790139)

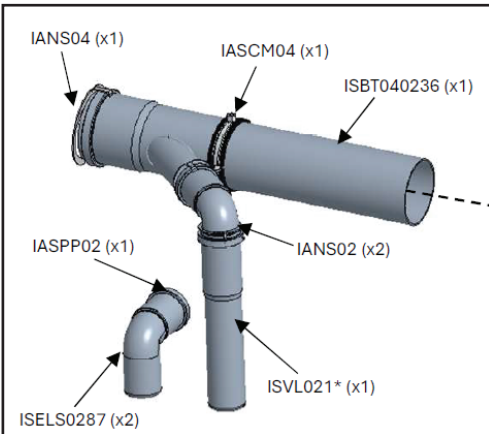


4in Starter (Part #: 790137)

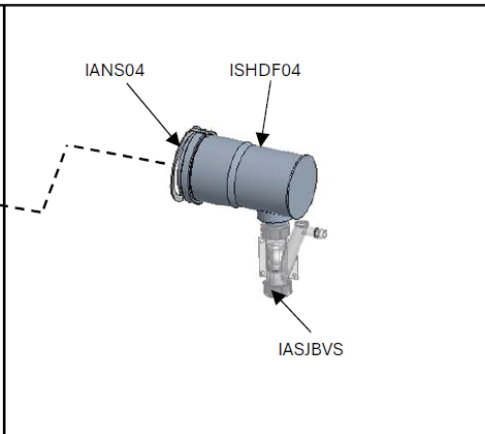


## CENTROTHERM

4in Add-On Components



4in Starter Components



**NOTE:** Quantities for Add-On components are PER UNIT.

# Rinnai

**Contact Us:**

<http://centrotherm.us.com>  
[info@centrotherm.us.com](mailto:info@centrotherm.us.com)  
 518.434.3400



Centrotherm

InnoFlue®  
Polypropylene Vent Systems

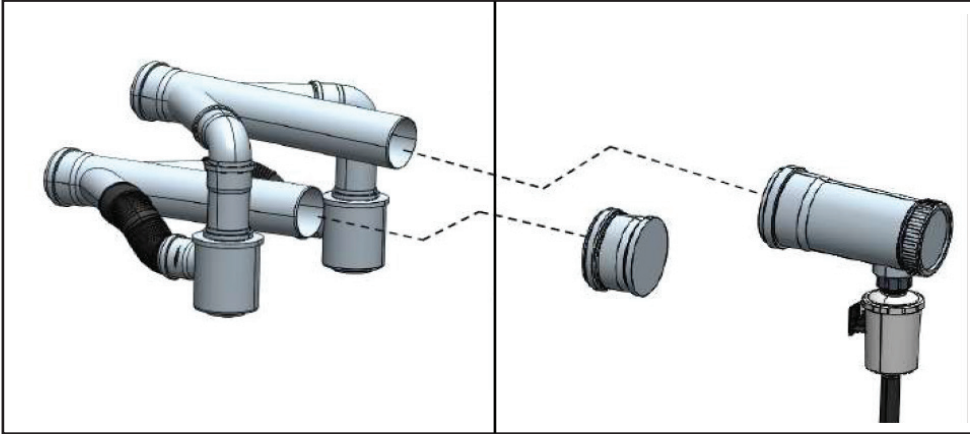


UL 1738  
ULC S636

## Rinnai

4in Add-On (Part #: 790142)

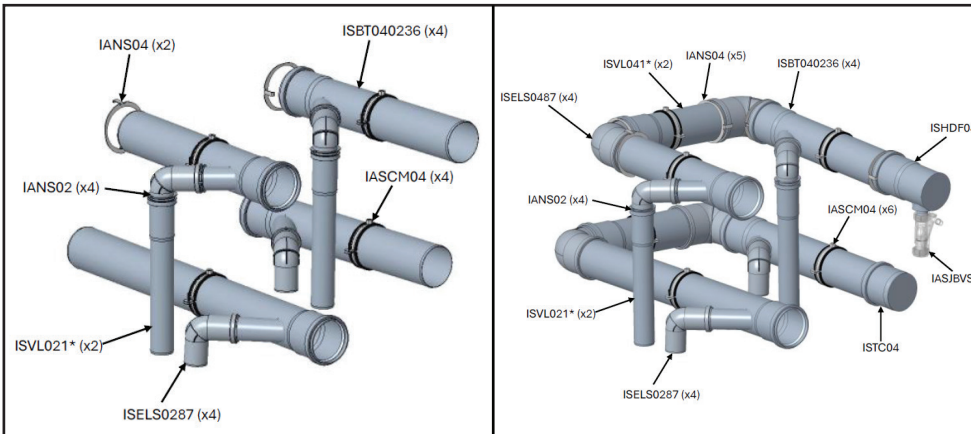
4in Starter (Part #: 790132)



## CENTROTHERM

4in Add-On Components

4in Starter Components



**NOTE:** Quantities for Add-On components are PER 2 UNITS.

# Rinnai

**Contact Us:**

<http://centrotherm.us.com>  
[info@centrotherm.us.com](mailto:info@centrotherm.us.com)  
 518.434.3400



Centrotherm

InnoFlue®  
Polypropylene Vent Systems



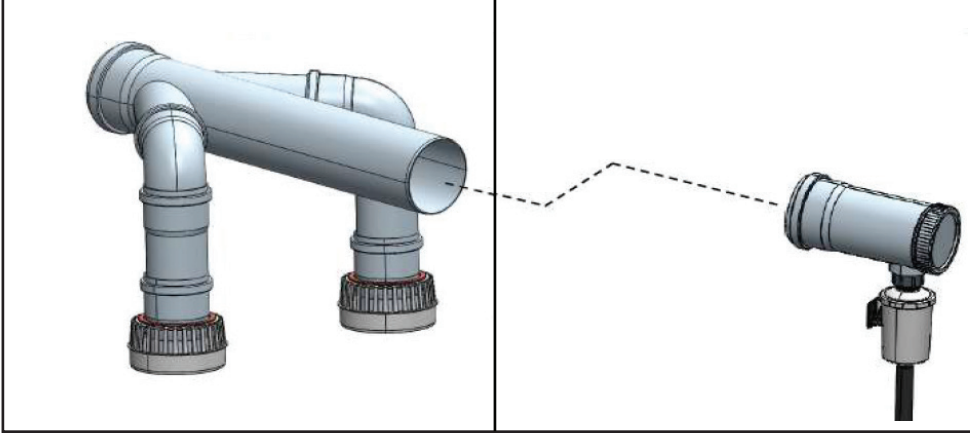
UL 1738  
ULC S636



## Rinnai

4in Add-On (Part #: 790143)

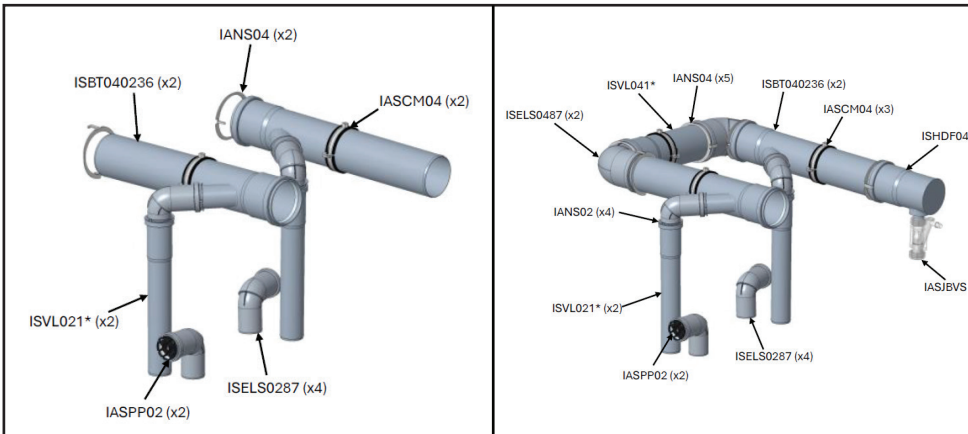
4in Starter (Part #: 790137)



## CENTROTHERM

4in Add-On Components

4in Starter Components



**NOTE:** Quantities for Add-On components are PER 2 UNITS.

# Rinnai

**Contact Us:**

<http://centrotherm.us.com>  
[info@centrotherm.us.com](mailto:info@centrotherm.us.com)  
 518.434.3400



Centrotherm

InnoFlue®  
Polypropylene Vent Systems

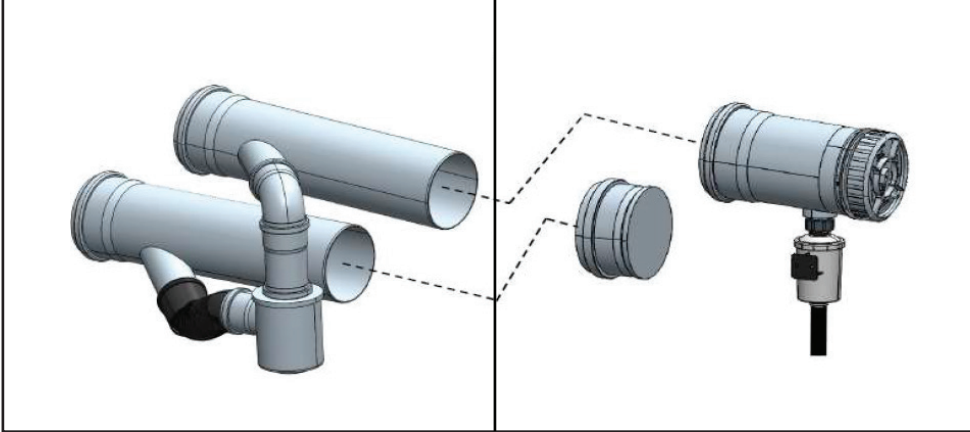


UL 1738  
ULC S636

## Rinnai

6in Add-On (Part #: 790135 / \*791021PPS)

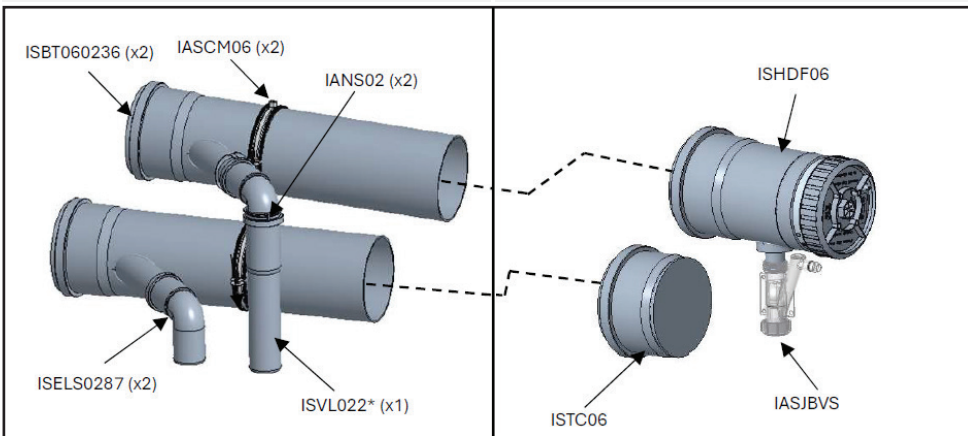
6in Starter (Part #: 790133 / \*791020PPS)



## CENTROTHERM

6in Add-On Components

6in Starter Components



**NOTE:** Quantities for Add-On components are PER UNIT.

# Rinnai

**Contact Us:**

<http://centrotherm.us.com>  
[info@centrotherm.us.com](mailto:info@centrotherm.us.com)  
 518.434.3400



Centrotherm

InnoFlue®  
Polypropylene Vent Systems

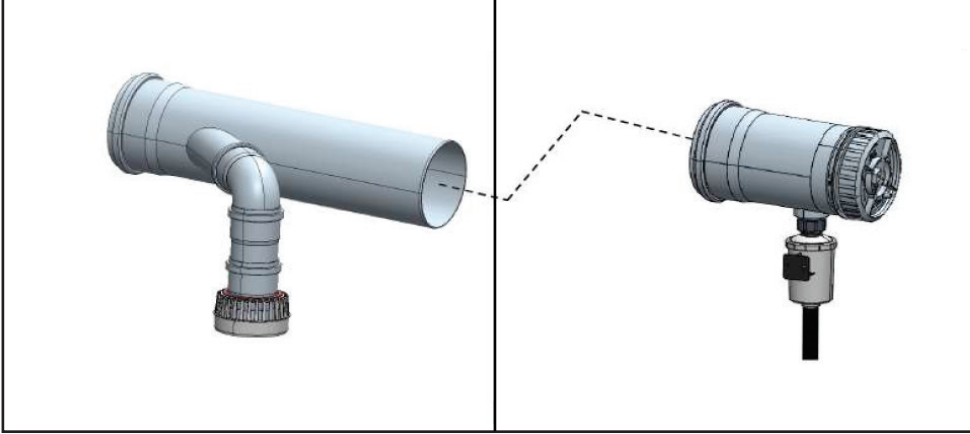


UL 1738  
ULC S636

## Rinnai

6in Add-On (Part #: 790140 / \*791024PPS)

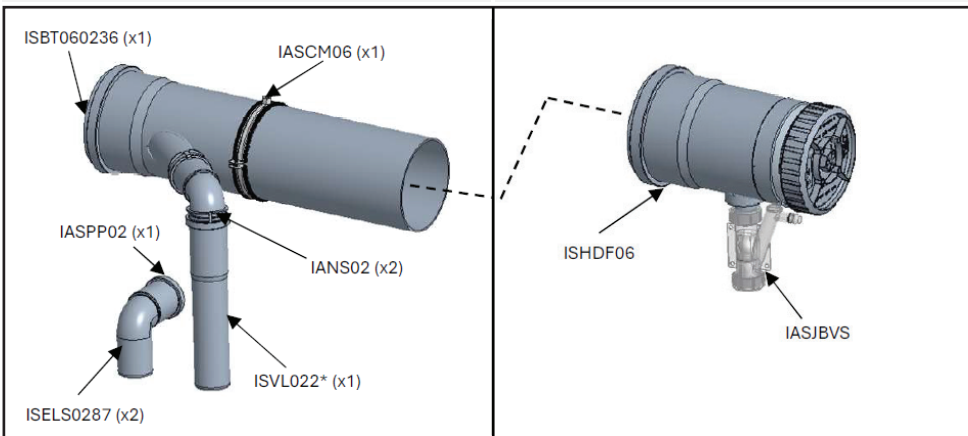
6in Starter (Part #: 790138 / \*791023PPS)



## CENTROTHERM

6in Add-On Components

6in Starter Components



**NOTE:** Quantities for Add-On components are PER UNIT.

# Rinnai

**Contact Us:**

<http://centrotherm.us.com>  
[info@centrotherm.us.com](mailto:info@centrotherm.us.com)  
 518.434.3400



Centrotherm

InnoFlue®  
Polypropylene Vent Systems

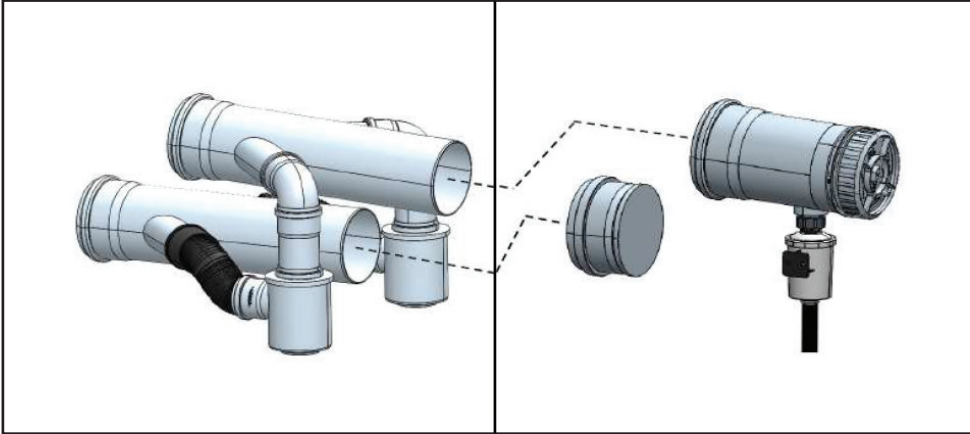


UL 1738  
ULC S636

## Rinnai

6in Add-On (Part #: 790136 / \*791022PPS)

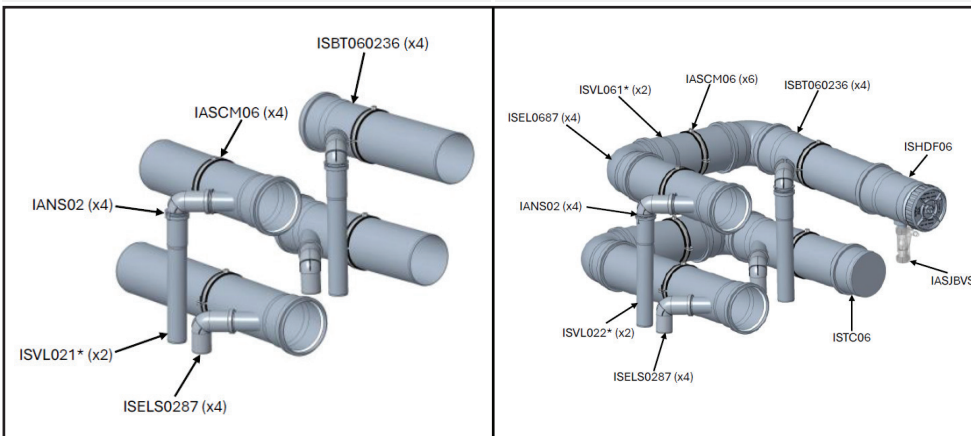
6in Starter (Part #: 790133 / \*791020PPS)



## CENTROTHERM

6in Add-On Components

6in Starter Components



**NOTE:** Quantities for Add-On components are PER 2 UNITS.

# Rinnai

**Contact Us:**

<http://centrotherm.us.com>  
[info@centrotherm.us.com](mailto:info@centrotherm.us.com)  
 518.434.3400



Centrotherm

InnoFlue®  
Polypropylene Vent Systems

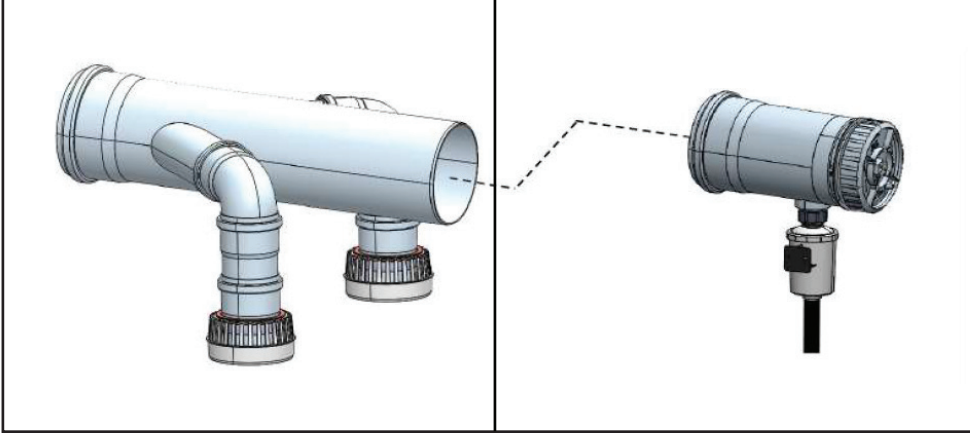


UL 1738  
ULC S636

## Rinnai

6in Add-On (Part #: 790141 / \*791025PPS)

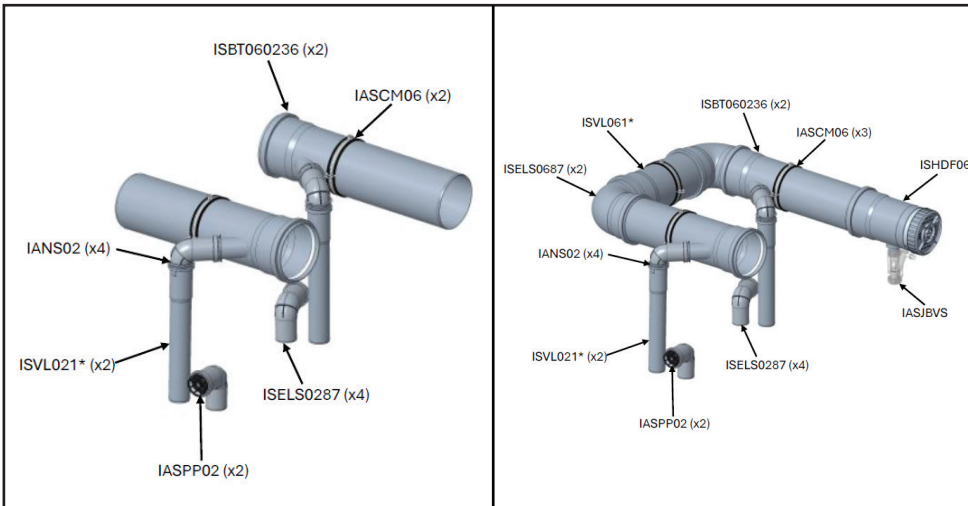
6in Starter (Part #: 790138 / \*791023PPS)



## CENTROTHERM

6in Add-On Components

6in Starter Components



**NOTE:** Quantities for Add-On components are PER 2 UNITS.

# Rinnai

**Contact Us:**

<http://centrotherm.us.com>  
[info@centrotherm.us.com](mailto:info@centrotherm.us.com)  
 518.434.3400



Centrotherm

InnoFlue®  
Polypropylene Vent Systems



UL 1738  
ULC S636